

**Mini CWDM Module**  
(1471, 1491, 1511, 1531, 1551, 1571, 1591, 1611nm)

**Specifications**

Contact Ascentta with your custom specification needs.

Parameter		Unit	4-Ch	8-Ch	
Wavelength		nm	1471, 1491 ... 1591, 1611		
Channel Spacing		GHz	20		
Channel	Center Wavelength Accuracy	nm	± 0.5		
	Bandwidth (@-0.5dB)	Min nm	13		
	Ripple	Max dB	0.3		
	Isolation	Adjacent (23°C, All SOP)	Min dB	30	
		Non-adjacent (23°C, All SOP)	Min dB	45	
Insertion Loss (23°C, All SOP)		Max dB	1.2	1.6	
Express Port Insertion Loss (23°C, All SOP)		Max dB	1.2	1.6	
PDL		Max dB	0.2		
PMD		Max ps	0.2		
Return Loss		Min dB	45		
Directivity		Min dB	50		
Optical Power Handling		Max mW	300		
Package Dimension		mm	50X28.8X6.5		
Operating Temperature		°C	0 to 70		
Storage Temperature		°C	-40 to 85		

\* The above specifications are for parts without connectors. Adding connectors can affect the IL, RL, & PDL.

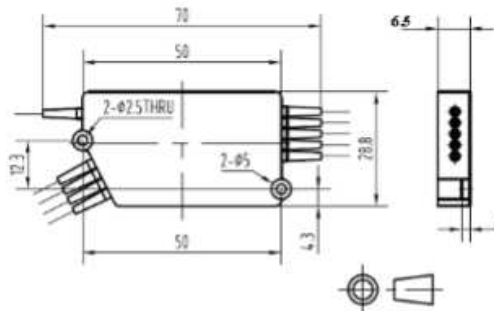
\* SOP=State Of Polarization

**Ordering Information**

Contact Ascentta with your custom configuration needs.

MCWDM	Channels	Start Channel	Fiber Type	Fiber Length	Connector	Express Port
MCWDM	4=4-Ch	47=1471nm	B= SMF-28, 250um	10=1.0m	NE=None	E=With Express Port
	8=8-Ch	49=1491nm	L= SMF-28, 900um	15=1.5m	FA=FC/APC	
	X=Others	51=1511nm	H=SMF-28, 3mm	20=2.0m	FC=FC/PC	
		53=1531nm	X=Others	30=3.0m	SA=SC/APC	
		55=1551nm		SC=SC/PC		
	X=Others		X=Others	LC=LC/PC		
					X=Others	

**Package Dimensions**



Contact Ascentta for all your custom design needs.