

PHOTODIODE: MULTI-MODE FIBER-PIGTAIL (With Flange)

Specifications

Contact Ascentta with your custom specification needs.

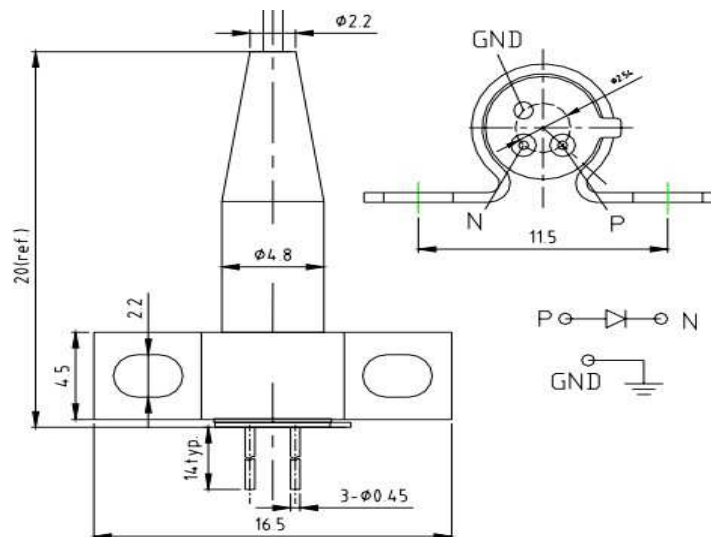
Parameter		Unit	Value
Wavelength		nm	1100-1650
Dark Current	($V_r = -5V, 25^\circ C$)	Max nA	0.5
Responsivity	($V_r = -5V, \lambda = 1550nm$)	Min A/W	0.9
	($V_r = -5V, \lambda = 1310nm$)	Min W/W	0.85
Active Area		um	300
Bandwidth	($R = 50\Omega, P_i = 10dBm, V_r = 5V$)	Min GHz	0.5
Capacity	($V_r = -5V$)	Max pF	6
Reverse Breakdown Voltage	($I_D = 10\mu A, \psi_e = 0$)	Min V	25
Forward Current		Max mA	10
Reverse Current		Max mA	10
Input Optical Power		Max dBm	10
Storage Temperature		$^\circ C$	-40 to 85

Ordering Information

Contact Ascentta with your custom configuration needs.

MMPPD	Type	Material	Active Area	Package	Dimensions	Fiber Type	Fiber Length	Connector
MMPPD	PIN=PIN	IGA=InGaAs	3=0.3mm	T46F=TO-46 with Flange	4820= $\Phi 4.8$ x L20	M5B=50/125um, 250um M5L=50/125um, 900um M6B=62.5/125um, 250um M6L=62.5/125um, 900um	10=1.0m 15=1.5m	NE=None FA=FC/APC FC=FC/PC SA=SC/APC SC=SC/PC
	X=Others	X=Others	X=Others	X=Others	X=Others	X=Others	X=Others	X=Others

Package Dimensions



Contact Ascentta for all your custom design needs.